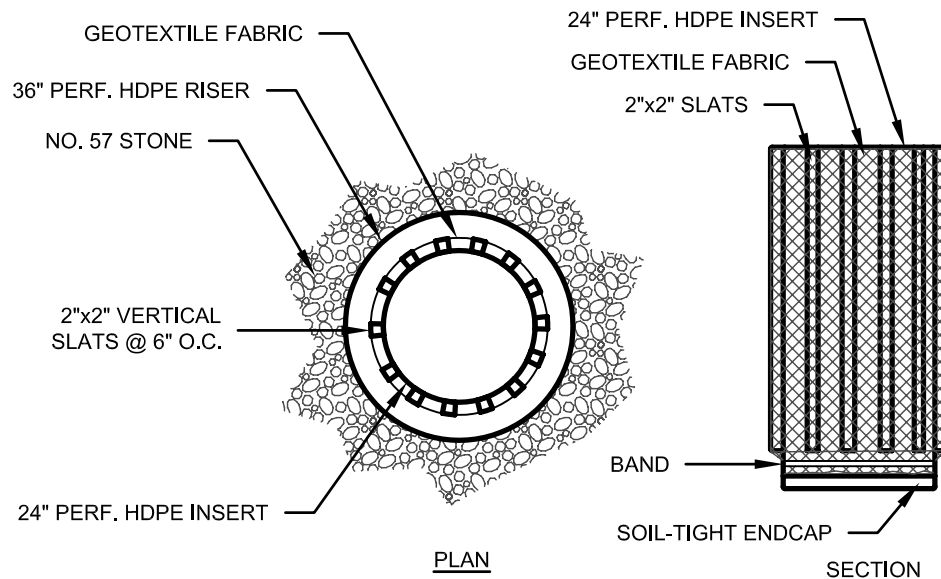


DEWATERING PIT - SECTION



INSERT DETAIL

NOTES

1. CONTRACTOR SHALL LOCATE LOW POINT AT REAR OF PROPERTY.
2. EXCAVATE DEWATERING PIT TO DIMENSIONS SHOWN (APPROX. 7'-6" DIAM. X 2'-6" DEEP).
3. LINE PIT WITH GEOTEXTILE FABRIC (CLASS 4, TYPE A), OVERLAPPING TOP OF PIT BY A MINIMUM OF 12".
4. INSTALL 6" OF NO. 57 STONE ON BOTTOM OF PIT.
5. INSTALL PERFORATED 36" HDPE RISER WITH SOIL-TIGHT ENDCAP ON BEDDING AT CENTER OF PIT. RISER HEIGHT SHALL BE SET TO ELEVATION 24" BELOW THE LOWEST ADJACENT PROPERTY ELEVATION.
6. BACKFILL PIT WITH NO. 57 STONE TO TOP OF RISER. EXTEND STONE BACKFILL TO COVER FABRIC OVERLAP
7. INSTALL 24" WOOD/FABRIC (CLASS 1) WRAPPED INSERT. GEOTEXTILE SHALL BE STRAPPED TIGHT AROUND THE BOTTOM OF THE INSERT. INSERT SHALL HAVE A SOIL TIGHT ENDCAP. HEIGHT SHALL BE 6" ABOVE 36" RISER.
8. INSTALL PUMP SUCTION PIPE INTO 24" INSERT.
9. **INSPECT SYSTEM AFTER EACH RAINFALL BY REMOVING SUCTION LINE AND INSERT.**
10. **REMOVE SEDIMENT ACCUMULATION FROM RISERS AND FILTER STONE.**

PROJECT: SETTLEMENT MUSIC SCHOOL
GERMANTOWN BRANCH
PHILADELPHIA, PA

TITLE: STORMWATER DEWATERING DETAIL

DRAWING NO.:

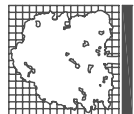
REFERENCE DWG.:

DATE: APRIL 24, 2006

SK-0612-01

CAIRONE & KAUPP, INCORPORATED
PLANNING, ENGINEERING AND LANDSCAPE ARCHITECTURE

1118 E. Columbia Avenue
Philadelphia, PA 19125
215 291 2000



PROJ. NO.: 0612

SCALE: NTS

DRAWN BY: KMK