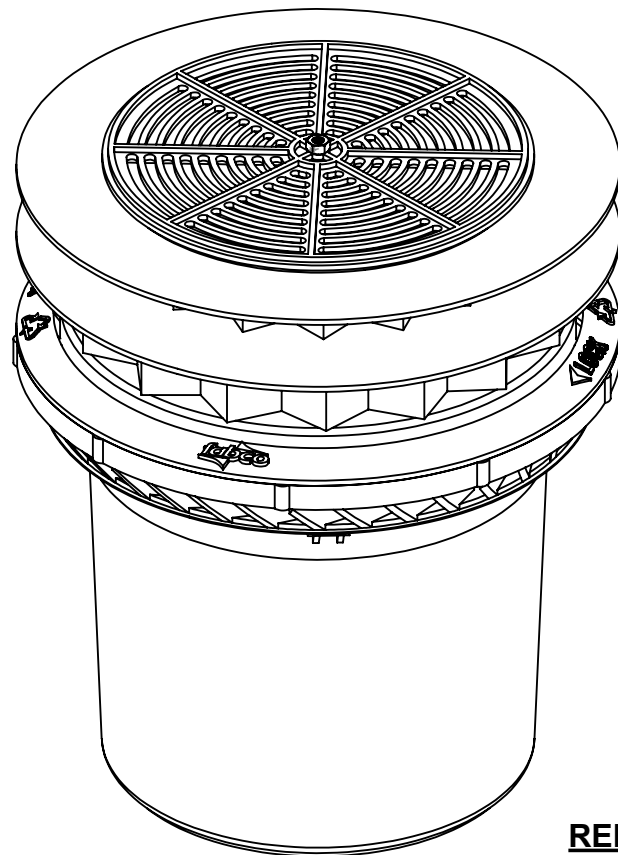
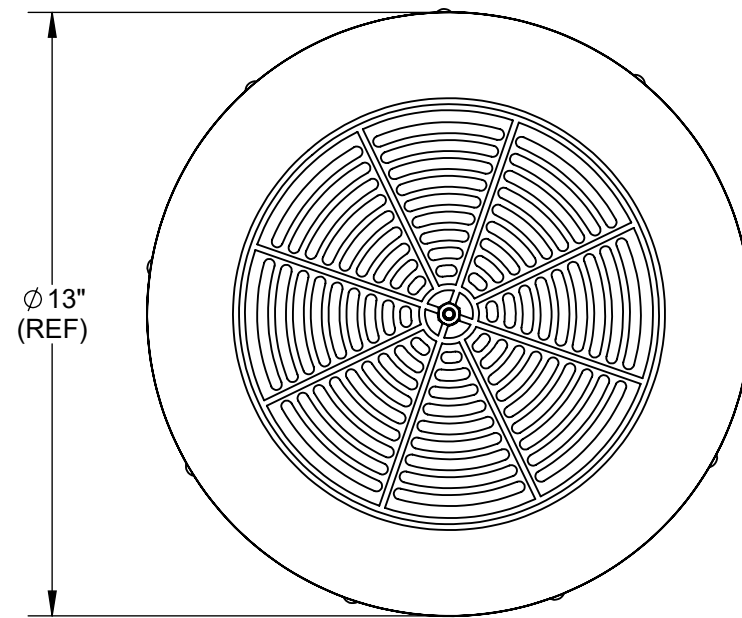


NOTES:

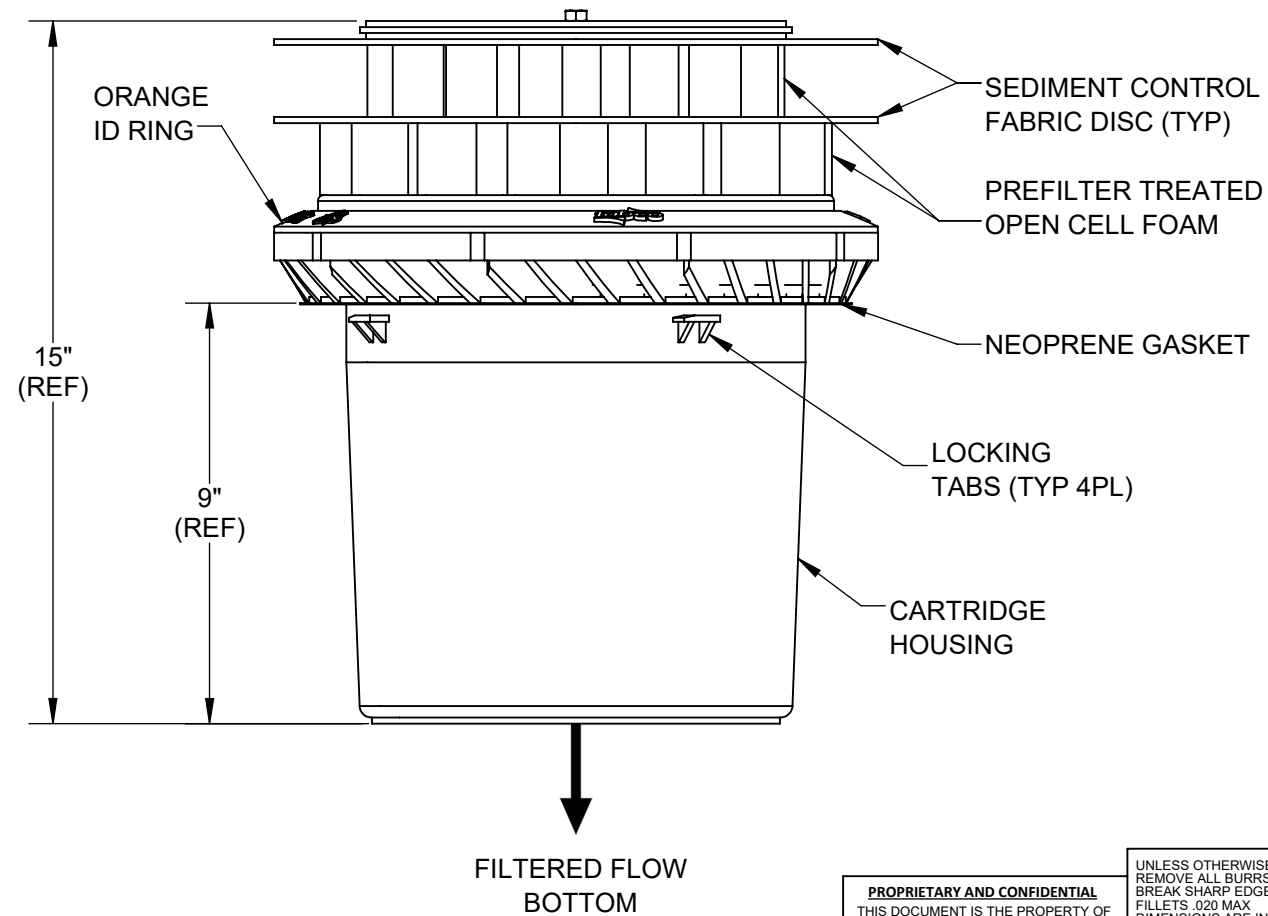
1. WEIGHT, DRY: 10 LB (MAX)
2. MATERIAL:
 - A) HOUSING: POLYETHYLENE POLYPROPYLENE COPOLYMER
 - B) EFFLUENT TREATMENT MEDIA: PROPRIETARY NON-TOXIC TREATMENT PRODUCTS.
 - C) SUPPORT HARDWARE: CRES 300 SERIES OR EQUAL
3. FLOW RATE (TYP): 50 GPM (0.11 CFS)
4. STORMWATER TREATMENT: MEETS 80% TSS REDUCTION REQUIREMENTS FOR PHILADELPHIA WATER DEPARTMENT (PWD)
5. RING IDENTIFICATION COLOR: ORANGE
6. INSTALLATION: INSERT INTO CARTRIDGE OPENING AND ROTATE CLOCKWISE 30-DEGREES TO LOCK CARTRIDGE IN PLACE
7. FITS ALL FABCO STORMBASIN AND STORMPOD PRODUCTS
8. DISPOSE OF CARTRIDGE IN ACCORDANCE WITH LOCAL REGULATIONS
9. ADDITIONAL CARTRIDGE DESIGNS ARE AVAILABLE TO TARGET SPECIFIC POLLUTANTS SEE TABLE 1 FOR DETAILS

TABLE 1

ORDER NUMBER	DESCRIPTION	COLOR CODE	FLOW RATE
9718-1	STANDARD	RED	115 GPM (0.26 CFS)
9718-2	BACTERIA	YELLOW	115 GPM (0.26 CFS)
9718-3	HYDROCARBONS	BLUE	115 GPM (0.26 CFS)
9718-4	HEAVY METALS	GREY	60 GPM (0.13 CFS)
9718-5	STANDARD (SHORT)	MINT	115 GPM (0.26 CFS)
9718-6	NUTRIENTS	GREEN	100 GPM (0.22 CFS)
9718-7	HIGH FLOW	RED (MARKED)	260 GPM (0.58 CFS)
9718-25	SEDIMENT CONTROL (NJCAT-78)	BROWN	50 GPM (0.11 CFS)
9718-26	SEDIMENT CONTROL (PWD-80)	ORANGE	50 GPM (0.11 CFS)



REFERENCE VIEW



PROPRIETARY AND CONFIDENTIAL
 THIS DOCUMENT IS THE PROPERTY OF FABCO INDUSTRIES AND IS CONVEYED WITH THE EXPRESS CONDITION THAT IT AND THE INFORMATION CONTAINED IN IT ARE NOT TO BE USED, DISCLOSED, OR REPRODUCED IN WHOLE OR IN PART, FOR ANY PURPOSE WITHOUT THE EXPRESS WRITTEN CONSENT OF FABCO INDUSTRIES; AND THAT NO RIGHT IS GRANTED TO DISCLOSE OR SO USE ANY INFORMATION CONTAINED IN SAID DOCUMENT.

UNLESS OTHERWISE SPECIFIED
 REMOVE ALL BURRS
 BREAK SHARP EDGES .002 - .020
 FILLETS .020 MAX
 DIMENSIONS ARE IN INCHES AND INCLUDE CHEMICALLY APPLIED OR PLATED FINISHES

TOLERANCES:
 DEC .00 ± .01
 DEC .000 ± .005
 FRACT ± 1/16
 ANGLE ± 2°

APPROVAL	DATE
DWN H.A.	5/13/2021
CHKR R.W.	5/13/2021
ENGR J.P.	5/13/2021
UPD	

FABCO INDUSTRIES, INC.
 24 CENTRAL DRIVE
 FARMINGDALE, NY 11735
 WWW.FABCO-INDUSTRIES.COM

fabco
 industries inc

TITLE: **SEDIMENT CONTROL CARTRIDGE (PWD-80)**

SIZE DWG. NO. **B 9718-26-000** REV **A**

SCALE: NONE SHEET 1 OF 1

DownSpout BG PWD

Servicing, Maintenance and Disposal

The DownSpout PWD, like any other stormwater remediation device requires maintenance to remain efficient as a stormwater filter. Fabco Industries highly recommends inspecting the perspective roof drainage system before installing a DownSpout PWD unit and thoroughly cleaning it if necessary.

Below Ground Configuration:

Gain access to the DownSpout PWD filter in accordance with all the safety protocols outlined above. With the manhole cover removed, remove any standing liquid, sediment, and debris from the structure. This can be done manually or with a vacuum device.

Cartridge Filter:

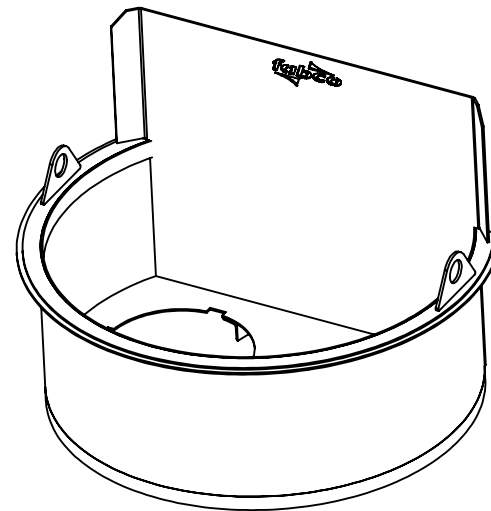
The removable cartridge basin is equipped with two lifting tabs, one on each side of the basin. Using two hooks, carefully lift the basin straight out of the Harco structure. Rinse the aluminum basin with a high-pressure hose to dislodge and remove sediment and/or debris that may impede the performance of the filter system. After rinsing, remove each Sediment Control Cartridge by rotating counterclockwise until rotation stops, and pull out. If necessary, wipe clean the cartridge sealing area on the filter box and install the new Sediment Control Cartridges. Lock the new Sediment Control Cartridges in place by pushing and turning in the clockwise direction until rotation stops.

Subsurface Debris Basket:

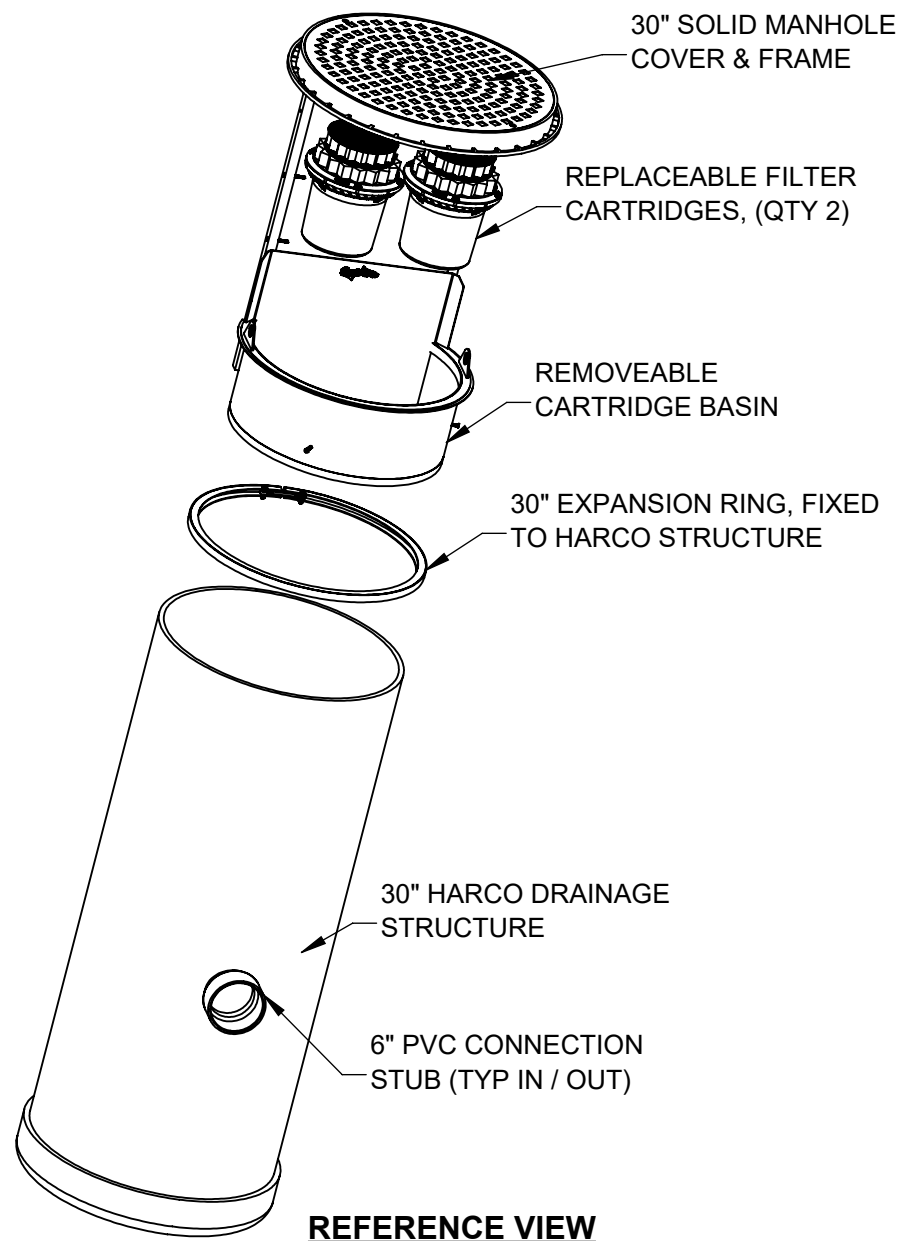
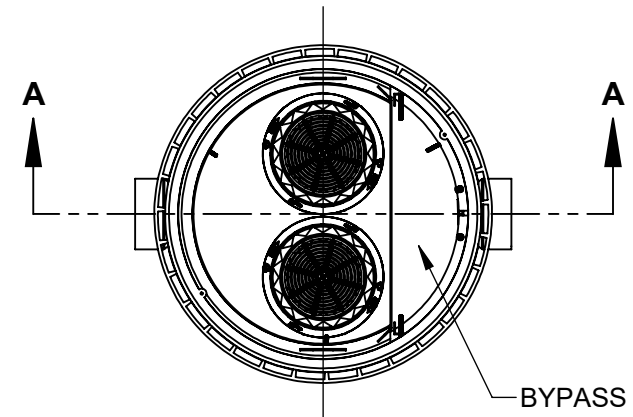
The removable basket is equipped with two lifting handles, one on each side of the basket. Using two hooks, carefully lift the basket straight out of the Harco structure. Rinse the stainless-steel basket with a high-pressure hose to dislodge and remove sediment and/or debris that may impede the performance of the filter system.

NOTES :

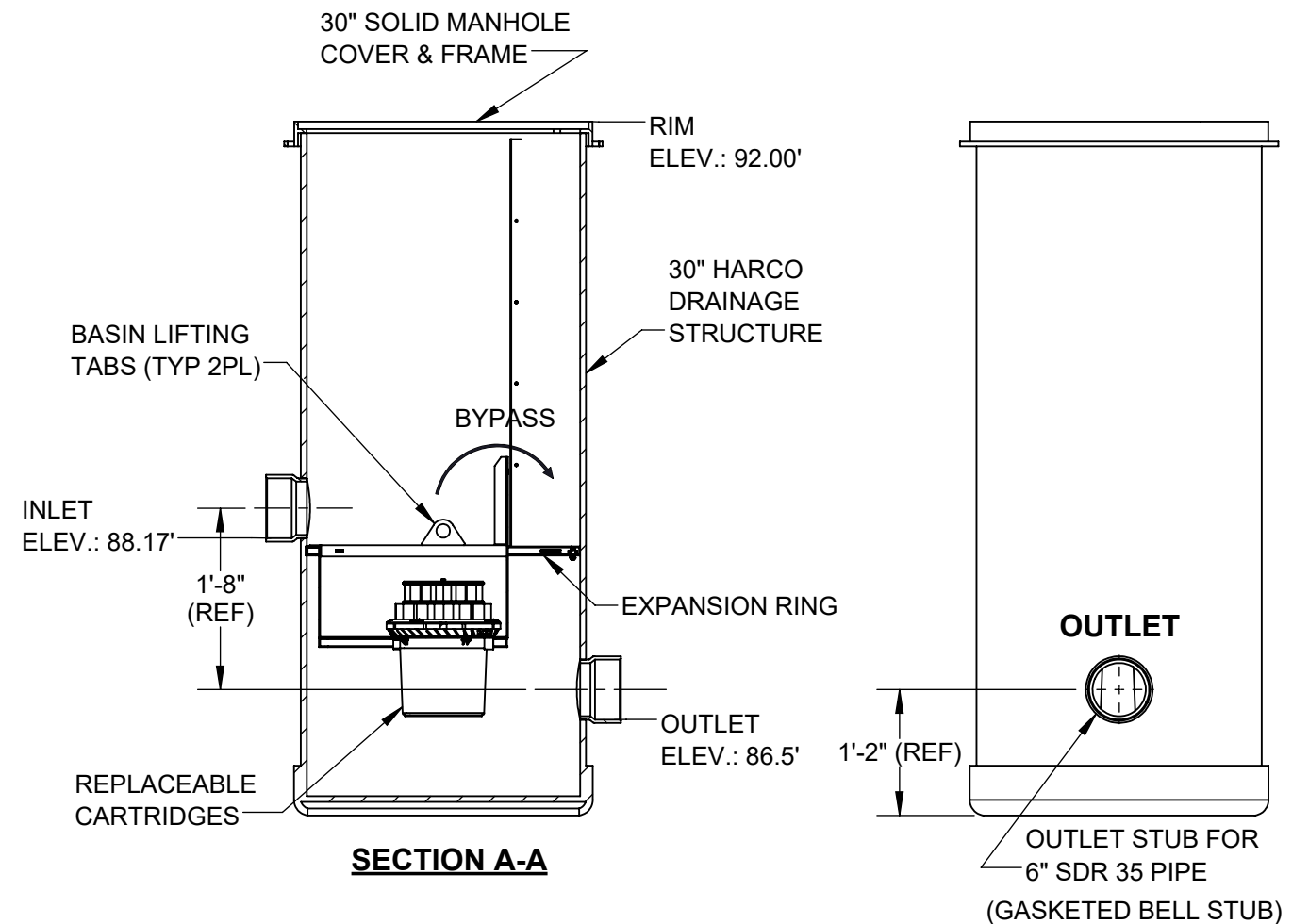
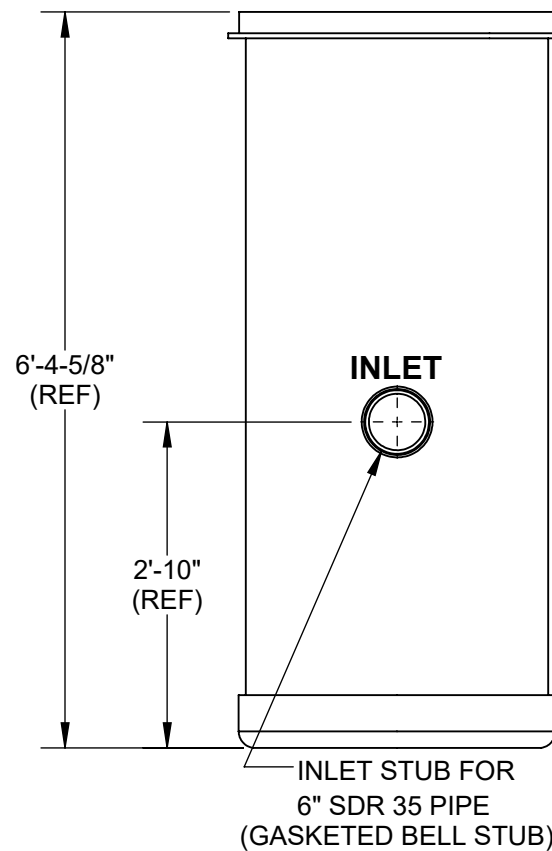
1. ASSEMBLY WEIGHT (EMPTY): 350 LB MAX
2. MATERIAL:
 - A) DRAINAGE STRUCTURE: PVC CONFORMS TO ASTM D1784 CELL CLASS 12454
 - B) CARTRIDGE BASIN ASSEMBLY: WELDED ALUMINUM CONSTRUCTION
 - C) HARDWARE: STAINLESS STEEL, 300 SERIES
 - D) GRATE/FRAME: DUCTILE IRON PER ASTM A536 GRADE 80-55-06 MEETS H25 LOADING
3. PERFORMANCE CHARACTERISTICS (TYP):
 - A) DEBRIS CAPACITY: 2.3 CU-FT
 - B) FILTERED FLOW RATE (CLEAN SEDIMENT CONTROL CARTRIDGE): 50 GPM (0.11 CFS)
 - C) BYPASS FLOW RATE: 1570 GPM (3.5 CFS)
4. USE WITH FABCO REPLACEABLE FILTER CARTRIDGES ONLY
5. THE DRAINAGE STRUCTURE IS DESIGNED TO BE INSTALLED USING ACCEPTED PIPE BACKFILL MATERIALS AND PRACTICES AS REFERENCED IN ASTM D2321. USE OF CLASS 2 RATED BEDDING AND BACKFILL MATERIAL, INCLUDING ANGULAR STONE AND OTHER CRUSHED OR GRANULAR MATERIALS AS CLARIFIED IN ASTM D2321 ARE ACCEPTABLE MATERIALS. ACCEPTABLE BEDDING AND BACKFILL MATERIAL WILL ALSO BE PLACED AND COMPACTED IN LAYERS ACCORDING TO ASTM D2321 GUIDELINES.



REMOVABLE CARTRIDGE BASIN



REFERENCE VIEW



<p>PROPRIETARY AND CONFIDENTIAL THIS DOCUMENT IS THE PROPERTY OF FABCO INDUSTRIES AND IS CONVEYED WITH THE EXPRESS CONDITION THAT IT AND THE INFORMATION CONTAINED IN IT ARE NOT TO BE USED, DISCLOSED, OR REPRODUCED IN WHOLE OR IN PART, FOR ANY PURPOSE WITHOUT THE EXPRESS WRITTEN CONSENT OF FABCO INDUSTRIES; AND THAT NO RIGHT IS GRANTED TO DISCLOSE OR SO USE ANY INFORMATION CONTAINED IN SAID DOCUMENT.</p>	<p>UNLESS OTHERWISE SPECIFIED REMOVE ALL BURRS BREAK SHARP EDGES .002 - .020 FILLETS .020 MAX DIMENSIONS ARE IN INCHES AND INCLUDE CHEMICALLY APPLIED OR PLATED FINISHES</p>	<p>TOLERANCES: DEC .00 ± .01 DEC .000 ± .005 FRACT ± 1/16 ANGLE ± 2°</p>	<p>APPROVAL</p> <p>DWN J.P. 8/27/2019 CHKR J.P. 8/27/2019 ENGR UPD</p>	<p>DATE</p> <p>8/27/2019</p>	
	<p>PROJECT</p>	<p>FABCO INDUSTRIES, INC. 24 CENTRAL DRIVE FARMINGDALE, NY 11735 WWW.FABCO-INDUSTRIES.COM</p>	<p>SIZE DWG. NO.</p> <p>B 10162-36-000</p>	<p>REV</p> <p>C</p>	
	<p>MATERIAL</p>	<p>SCALE: NONE</p>	<p>SHEET 1 OF 1</p>		
	<p>PROJECT: DOWNSPOUT FILTER PWD TITLE: BELOW GROUND</p>				



DOWNSPOUT FILTER

PWD



PWD Proprietary Media Compliance Design Worksheet

DESIGNER COMPANY / NAME: _____

PROJECT NAME: _____

PROJECT LOCATION: _____ **DATE:** _____

Number of Cartridges:

The Fabco DownSpout Filter PWD is a flow-based device. Each PWD approved "Sediment Control Cartridge (SCC)" can treat a peak flow of 0.11 cfs. The water quality design flow or treatment goal for the inlet of interest determines how many cartridges are required to meet that water quality goal. The Computation below should be used for each inlet.

DownSpout Filter PWD I.D.= _____ (i.e. CB-1, D-6 etc.)

- Water Quality Flowrate to Drain of Interest= _____ cfs.
- Number of SCC Cartridges Required.....Flow Rate / 0.11 = _____ Cartridges
Round up to nearest whole number

Note: The maximum # cartridges that can be accommodated in a DownSpout Filter is 4, If > 4 cartridges are required, please contact John Hilbert per his contact information at the bottom of this page. Minimum drop of 24" from the Invert In to the Invert Out is required.

Post-Treatment Volume Management:

If infiltration or detention is needed after runoff has gone through the Fabco DownSpout Filter PWD Above Ground unit, the Ferguson R-Tank system can be utilized. The R-Tank is a modular subsurface storage system with 95% voids and is H-20 load rated. For assistance with sizing and unit selection contact Ferguson John Hilbert

If you have any questions regarding the Fabco DownSpout Filter PWD or R-Tank System: Contact John Hilbert / Urban Green Infrastructure BMP Specialist / Ferguson

C: 610-656-5640 / E: John.Hilbert@ferguson.com