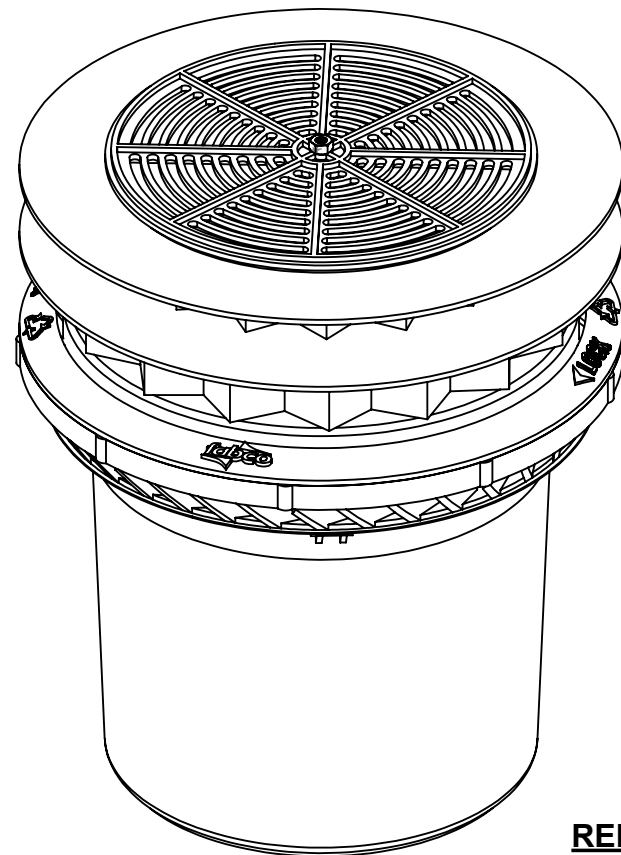
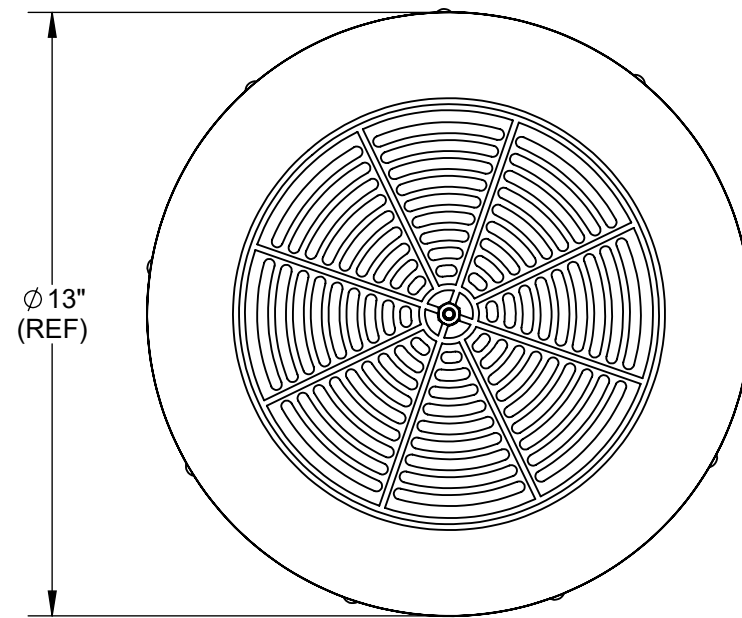


NOTES:

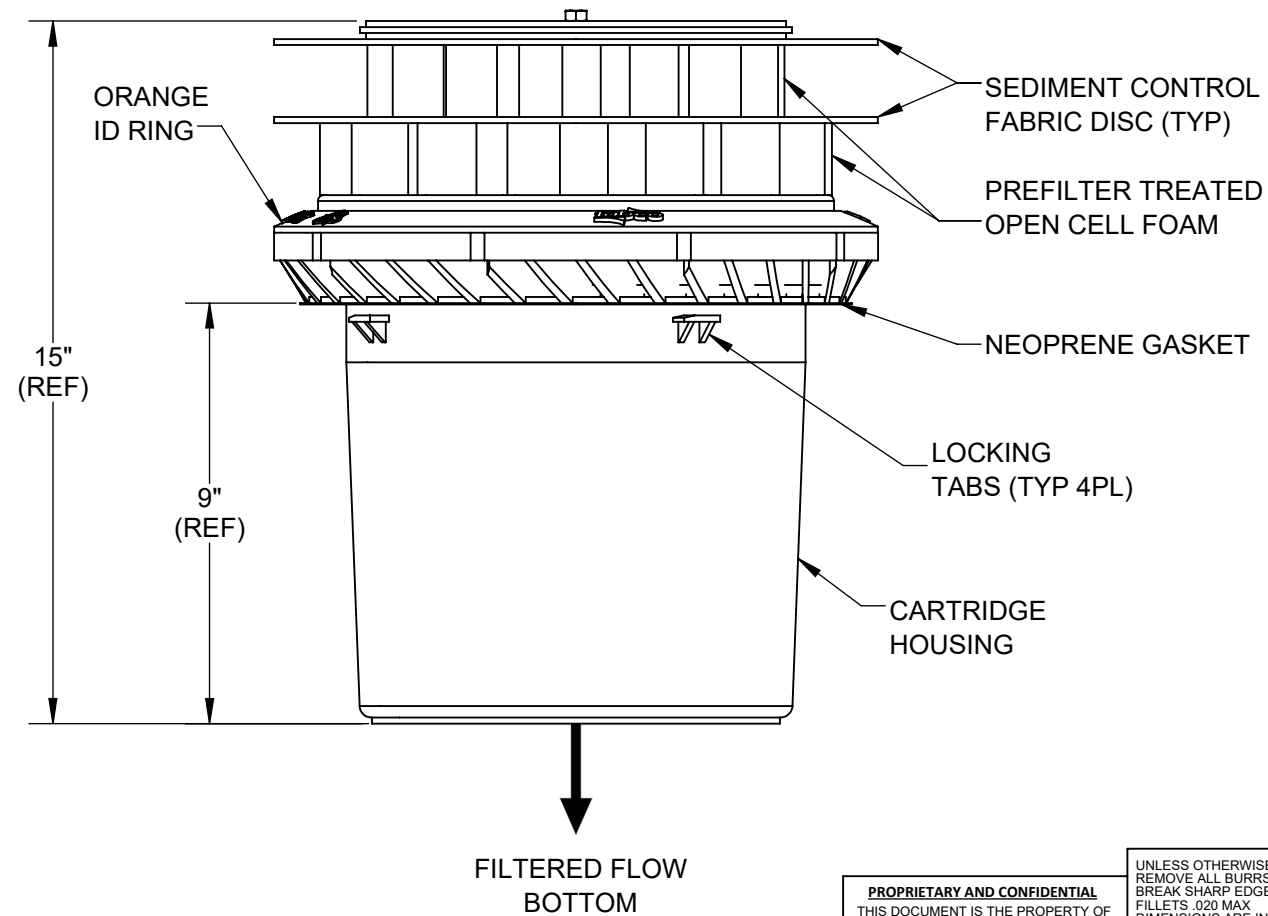
1. WEIGHT, DRY: 10 LB (MAX)
2. MATERIAL:
 - A) HOUSING: POLYETHYLENE POLYPROPYLENE COPOLYMER
 - B) EFFLUENT TREATMENT MEDIA: PROPRIETARY NON-TOXIC TREATMENT PRODUCTS.
 - C) SUPPORT HARDWARE: CRES 300 SERIES OR EQUAL
3. FLOW RATE (TYP): 50 GPM (0.11 CFS)
4. STORMWATER TREATMENT: MEETS 80% TSS REDUCTION REQUIREMENTS FOR PHILADELPHIA WATER DEPARTMENT (PWD)
5. RING IDENTIFICATION COLOR: ORANGE
6. INSTALLATION: INSERT INTO CARTRIDGE OPENING AND ROTATE CLOCKWISE 30-DEGREES TO LOCK CARTRIDGE IN PLACE
7. FITS ALL FABCO STORMBASIN AND STORMPOD PRODUCTS
8. DISPOSE OF CARTRIDGE IN ACCORDANCE WITH LOCAL REGULATIONS
9. ADDITIONAL CARTRIDGE DESIGNS ARE AVAILABLE TO TARGET SPECIFIC POLLUTANTS SEE TABLE 1 FOR DETAILS

TABLE 1

ORDER NUMBER	DESCRIPTION	COLOR CODE	FLOW RATE
9718-1	STANDARD	RED	115 GPM (0.26 CFS)
9718-2	BACTERIA	YELLOW	115 GPM (0.26 CFS)
9718-3	HYDROCARBONS	BLUE	115 GPM (0.26 CFS)
9718-4	HEAVY METALS	GREY	60 GPM (0.13 CFS)
9718-5	STANDARD (SHORT)	MINT	115 GPM (0.26 CFS)
9718-6	NUTRIENTS	GREEN	100 GPM (0.22 CFS)
9718-7	HIGH FLOW	RED (MARKED)	260 GPM (0.58 CFS)
9718-25	SEDIMENT CONTROL (NJCAT-78)	BROWN	50 GPM (0.11 CFS)
9718-26	SEDIMENT CONTROL (PWD-80)	ORANGE	50 GPM (0.11 CFS)



REFERENCE VIEW



PROPRIETARY AND CONFIDENTIAL
 THIS DOCUMENT IS THE PROPERTY OF FABCO INDUSTRIES AND IS CONVEYED WITH THE EXPRESS CONDITION THAT IT AND THE INFORMATION CONTAINED IN IT ARE NOT TO BE USED, DISCLOSED, OR REPRODUCED IN WHOLE OR IN PART, FOR ANY PURPOSE WITHOUT THE EXPRESS WRITTEN CONSENT OF FABCO INDUSTRIES; AND THAT NO RIGHT IS GRANTED TO DISCLOSE OR SO USE ANY INFORMATION CONTAINED IN SAID DOCUMENT.

UNLESS OTHERWISE SPECIFIED
 REMOVE ALL BURRS
 BREAK SHARP EDGES .002 - .020
 FILLETS .020 MAX
 DIMENSIONS ARE IN INCHES AND INCLUDE CHEMICALLY APPLIED OR PLATED FINISHES

TOLERANCES:
 DEC .00 ± .01
 DEC .000 ± .005
 FRACT ± 1/16
 ANGLE ± 2°

APPROVAL	DATE
DWN H.A.	5/13/2021
CHKR R.W.	5/13/2021
ENGR J.P.	5/13/2021
UPD	

FABCO INDUSTRIES, INC.
 24 CENTRAL DRIVE
 FARMINGDALE, NY 11735
 WWW.FABCO-INDUSTRIES.COM

fabco
 industries inc

TITLE: **SEDIMENT CONTROL CARTRIDGE (PWD-80)**

SIZE DWG. NO. **B 9718-26-000** REV **A**

SCALE: NONE SHEET 1 OF 1



STORMSAFE PWD
WATER QUALITY UNIT



PWD Proprietary Media Compliance Design Worksheet

DESIGNER COMPANY / NAME: _____

PROJECT NAME: _____

PROJECT LOCATION: _____ DATE: _____

The StormSafe is a sub-surface Fabco Stormwater vault system that utilizes Fabco's proprietary filter media cartridges.

The external structure for the StormSafe is a Concrete precast product that can have a round or rectangular shape depending on many things including: treatment flow rate, required bypass flow rate, pipe materials and elevations to name just a few. Each of these parameters affect the overall form and function of the filter.

Fabco typically works between the customer and a commercial concrete company located near the construction site to design and supply the vault. This allows us to optimize the design for the application while at the same time managing the costs, required modifications (if any), production time frame and delivery of the vault.

To begin the design process Fabco's engineering group requires detailed information related to the construction site where the StormSafe will be installed and the functional stormwater treatment expected from the filter.

At a minimum the following information is required:

1. Final Rim Elevation = _____
2. Invert Elevations of pipes (24" offset between In/Out inverts is preferred for StormSafe Units)
 - a. Invert In = _____
 - b. Invert Out = _____
3. Pipe: Size = _____ and Material = _____
4. Orientation of pipes into the vault (plan view)
5. Sump depth of the unit, if required. _____
6. Targeted Pollutant(s) : _____
7. Treatment flow rate required = _____ cfs ****Include any required storm event specification from the design engineer****
 - a. Number of SCC Cartridges Required.....Treatment Flow Rate / 0.11 = _____ Cartridges
****Round up to nearest whole number****
8. Required bypass flow = _____
9. On-line or Off-line bypass required: _____
10. Site Location and Site Plan (if available)
11. Expected Lead Time _____
12. Any Competitor unit spec'd on the plans: _____

Post-Treatment Volume Management:

If infiltration or detention is needed after runoff has gone through the Fabco StormSafe PWD unit, the Ferguson R-Tank system can be utilized. The R-Tank is a modular subsurface storage system with 95% voids and is H-20 load rated. For assistance with sizing and unit selection contact Ferguson John Hilbert



If you have any questions regarding the Fabco StormSafe PWD or R-Tank System:

Contact John Hilbert / Urban Green Infrastructure BMP Specialist / Ferguson

C: 610-656-5640 / E: John.Hilbert@ferguson.com

